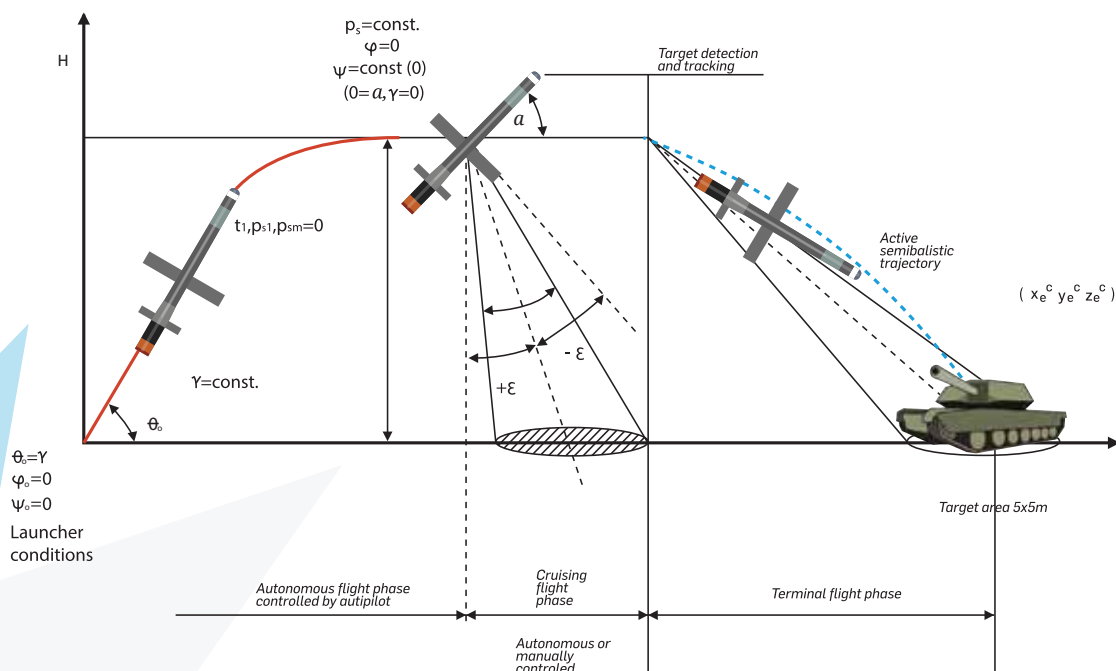


SPIDER ANTITANK MISSILE SYSTEM

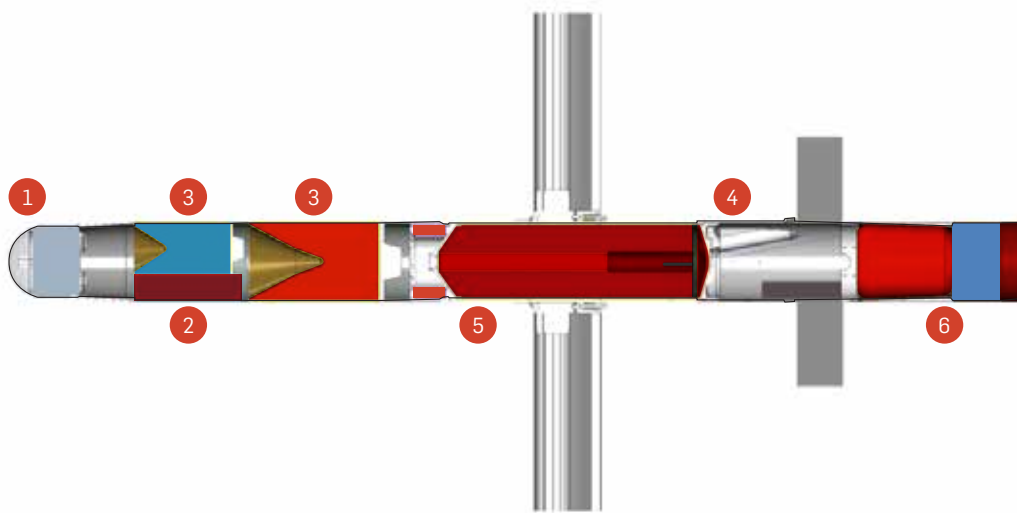


SPIDER is a fiber optic guided "man in the loop" tactical missile. The missile is equipped with an imaging infrared seeker with "Fire, Observe and Update" operating mode. A fiber-optical cable connects the missile.

The missile uses a tandem warhead – two shaped charges, a precursor warhead to detonate any explosive reactive armor and a primary warhead to penetrate the underlying armor. The SPIDER missile tandem warhead can penetrate up to 1000 mm RHA (rolled homogeneous armor).



- 1. Homing Subsystem
- 2. Control Subsystem
- 3. Tandem HEAT Warhead
- 4. Control system actuators
- 5. Two phase solid propellant rocket motor
- 6. Fiber optic bobbin



DIMENSIONS

Total body length	1.8m
Body diameter (caliber)	0.14m
Wingspan	0.84m
Weight	45kg at take-off / 35 kg in flight
Warhead type (proposed)	Tandem HEAT warhead
Payload weight	8 kg

BOOSTER PROPULSION Solid propellant boost engine

Rocket boost thrust	2400N
Range	9km
Flight speed	200m/s

MAIN PROPULSION Solid propellant sustainer phase

Thrust	240N
--------	------



EDePro Contacts

Sales and Business Development
33 Kralja Milutina Street, 11000 Belgrade/SRB
Ph: +381 11 787 1380
Fax: +381 11 787 1384
E-mail: info@edepro.com
www.edepro.com

